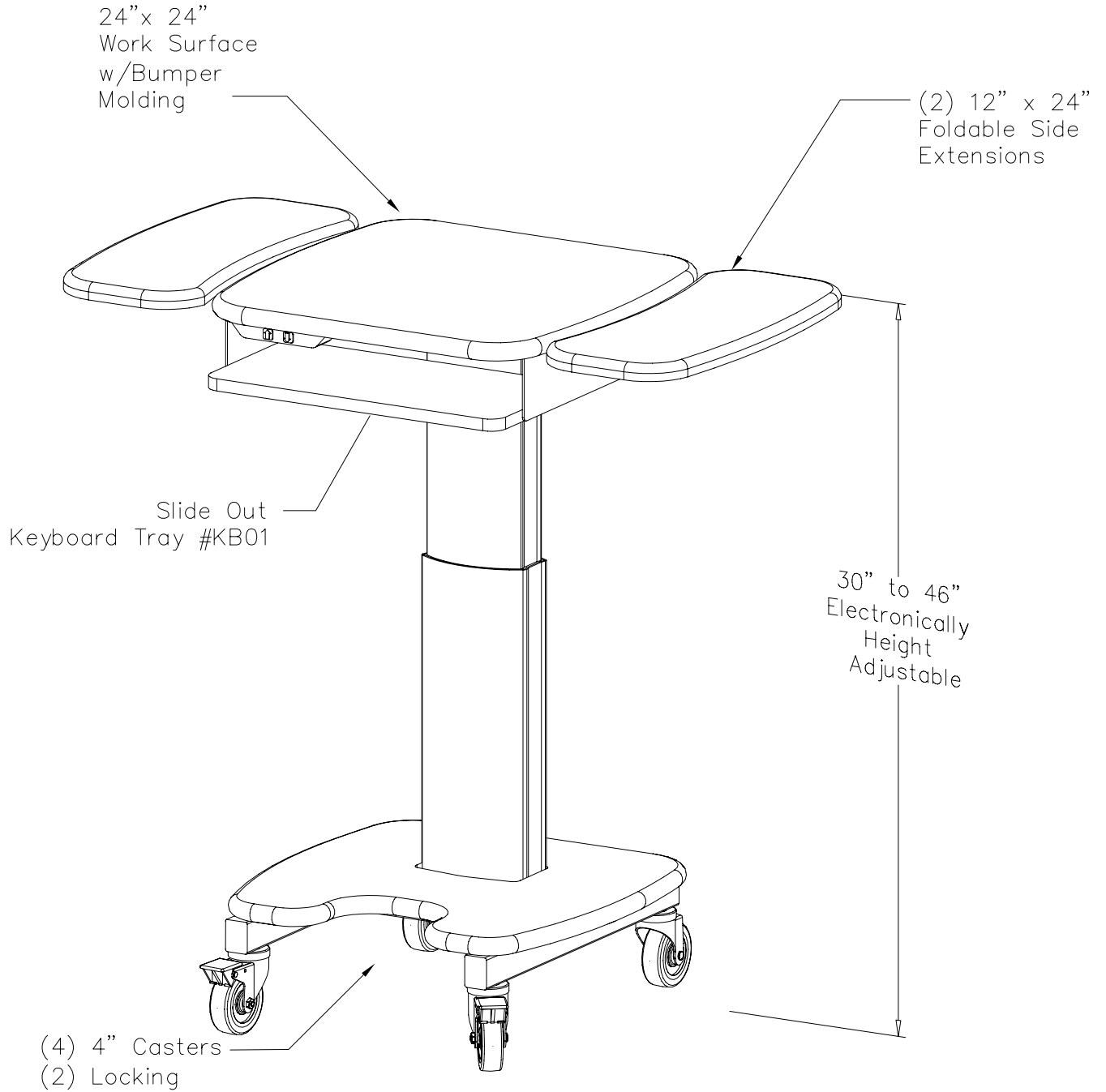


# Telescopic Cart 2424 with extensions



MATERIAL :	DRAWN BY : CD	DATE: 5/01/07	DESCRIPTION :
	A P P R O V E D		TC 2424 (DX)
TOLERANCES UNLESS OTHERWISE SPECIFIED FRACTIONAL ±1/64 2 PL.. DEC. ±.01 3PLC. DEC. ±.001 ANGULAR ±.5' FINISH √	EN :		USED ON :
	MFG. :		PATH :F.Assemblies\MaxflexTC\TC2400\TC2424(DX)
	QA :		FILE NAME:
	SCALE: N.T.S.	SHEET : 1 OF 1	TC2424_DX_KB01_00_00_0_B_EXT_01