

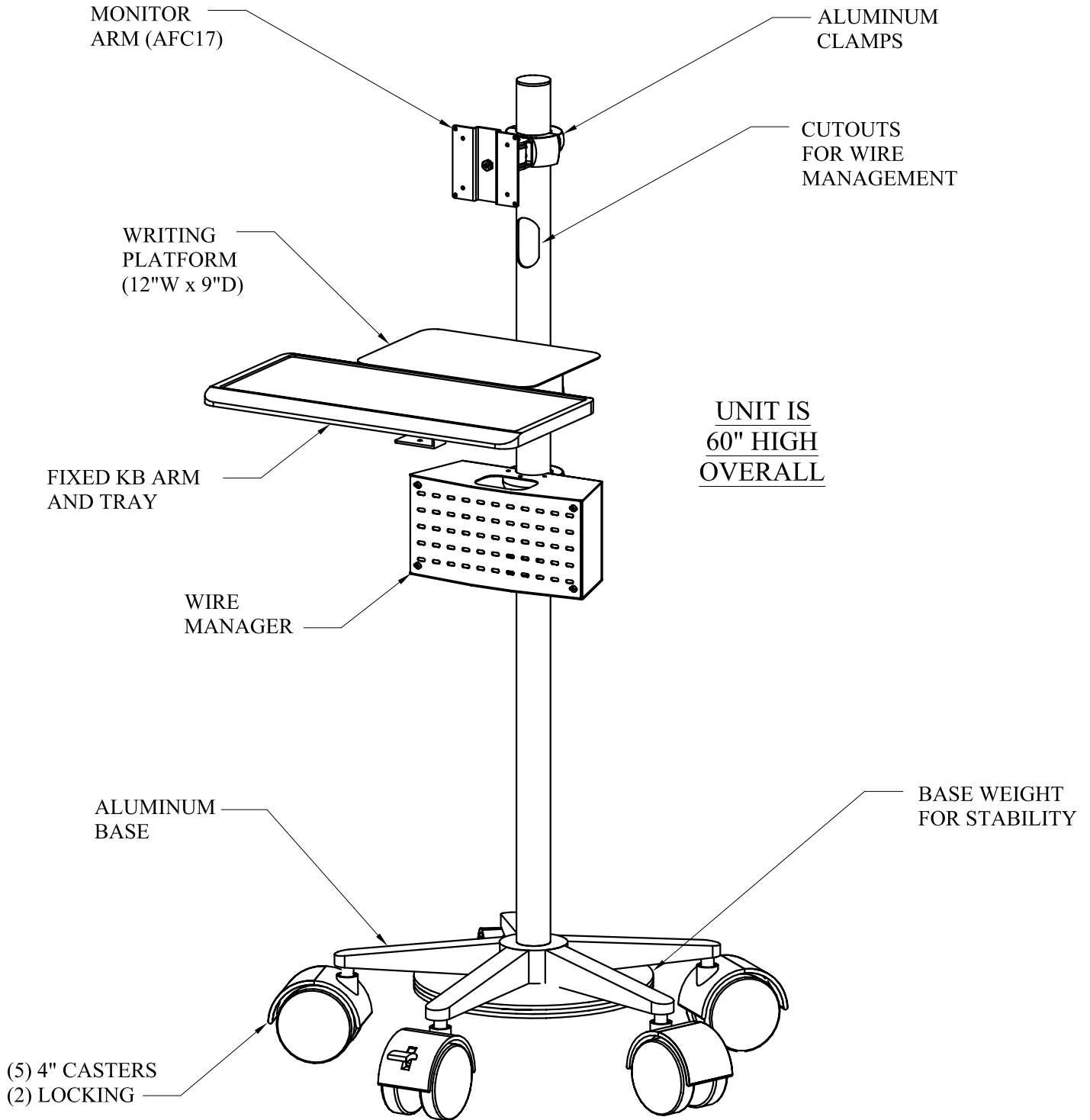


**INDUSTRIES, INC.**

13-16 133 PLACE  
COLLEGE POINT, NY 11356

TEL: (718)747-0237  
FAX: (718)747-0726

THE PLANS AND DRAWINGS CONTAINED HEREIN ARE PROPRIETARY AND MAY NOT BE COPIED OR REPRODUCED MECHANICALLY, ELECTRONICALLY OR BY ANY MEANS WITHOUT WRITTEN PERMISSION FROM AFC INDUSTRIES, INC.



MATERIAL :	DRAWN BY : PES	DATE: 1/12/07	DESCRIPTION :	
	A P P R O V E D		MOBILE POLE CART 200	
TOLERANCES UNLESS OTHERWISE SPECIFIED FRACTIONAL ±1/64 2 PL.. DEC. ±.01 3PLC. DEC. ±.001 ANGULAR ±.5° FINISH √	EN :		USED ON :	
	MFG. :		PATH : CARTS\Mobile Pole cart\2006\MPC_200	
	QA :		FILE NAME: PC-MK-200	
	SCALE: N.T.S.	SHEET : 1 OF 1	REV: 4	SIZE A