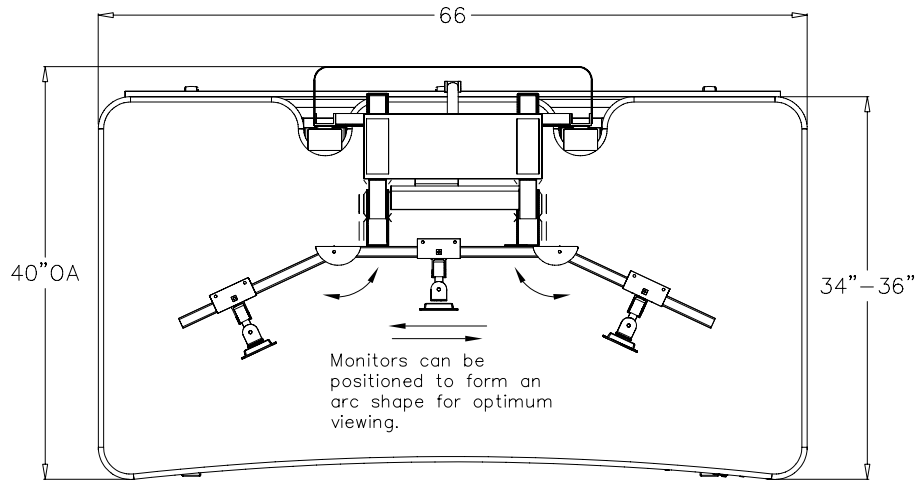
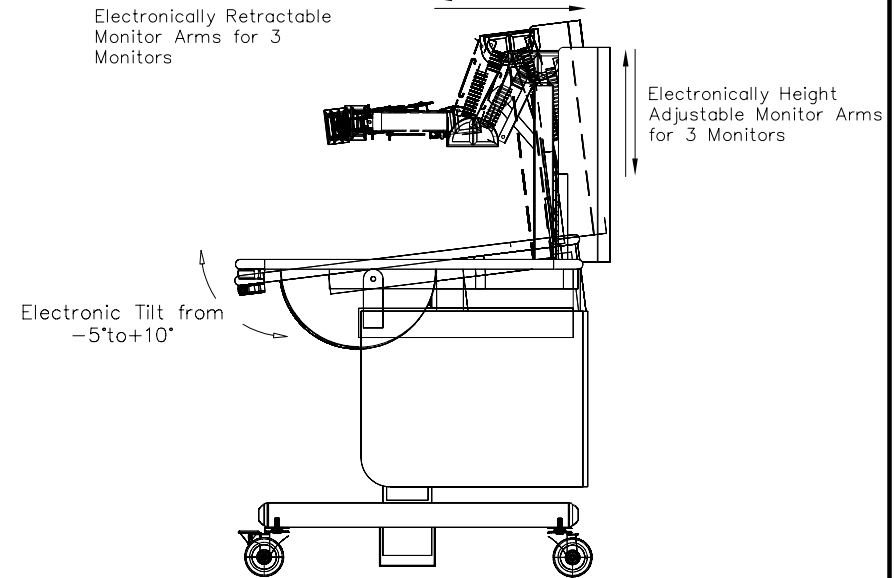


TOP VIEW

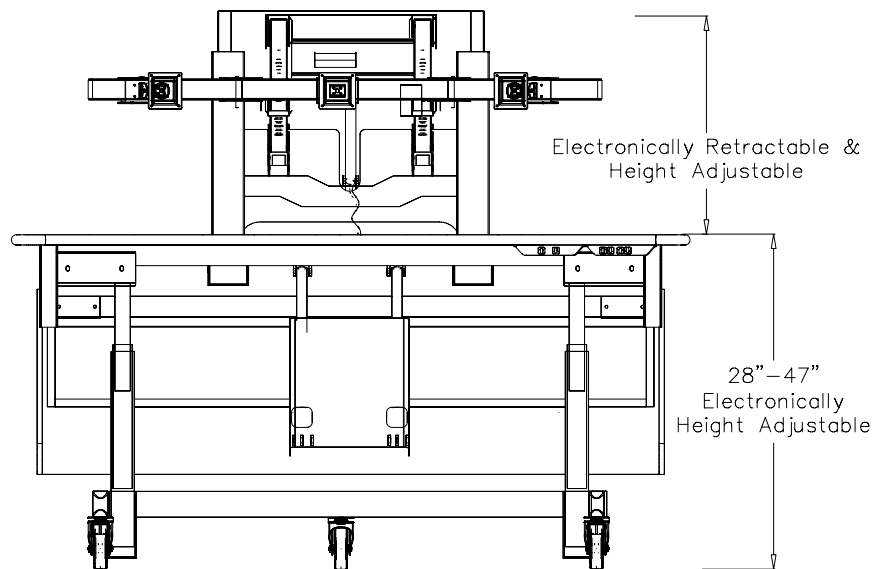


Bumper Molding Edge finish with soft ergo Cutout.

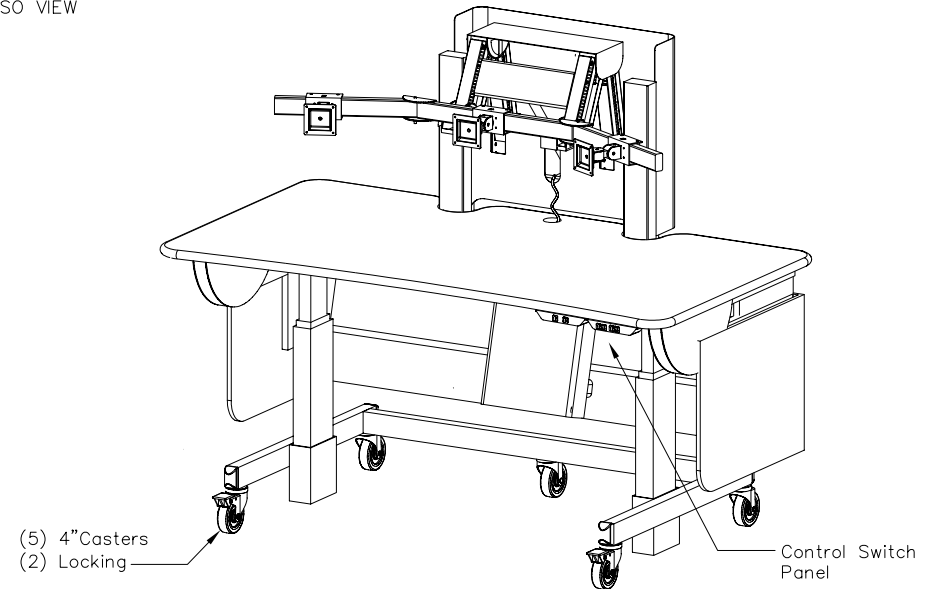
SIDE VIEW



FRONT VIEW



ISO VIEW



NOTES :

MATERIAL :
AS NOTED ABOVE

TOLERANCES UNLESS OTHERWISE SPECIFIED
FRACTIONAL ±1/64
2 PLC. DEC. ±.01
3PLC. DEC. ±.001
ANGULAR ±.5°
FINISH 32/

DRAWN BY : V.G.M

DATE: 11/17/05

DELUXE ERGOTIER

A P P R O V E D

ENG :

MFG :

QA :

SCALE : N.T.S.

SHEET : 1 OF 1

USED ON :

PATH :
Maxflex\ET\DXET\

PDF NAME:
DXET_6640_01

REV: SIZE
A